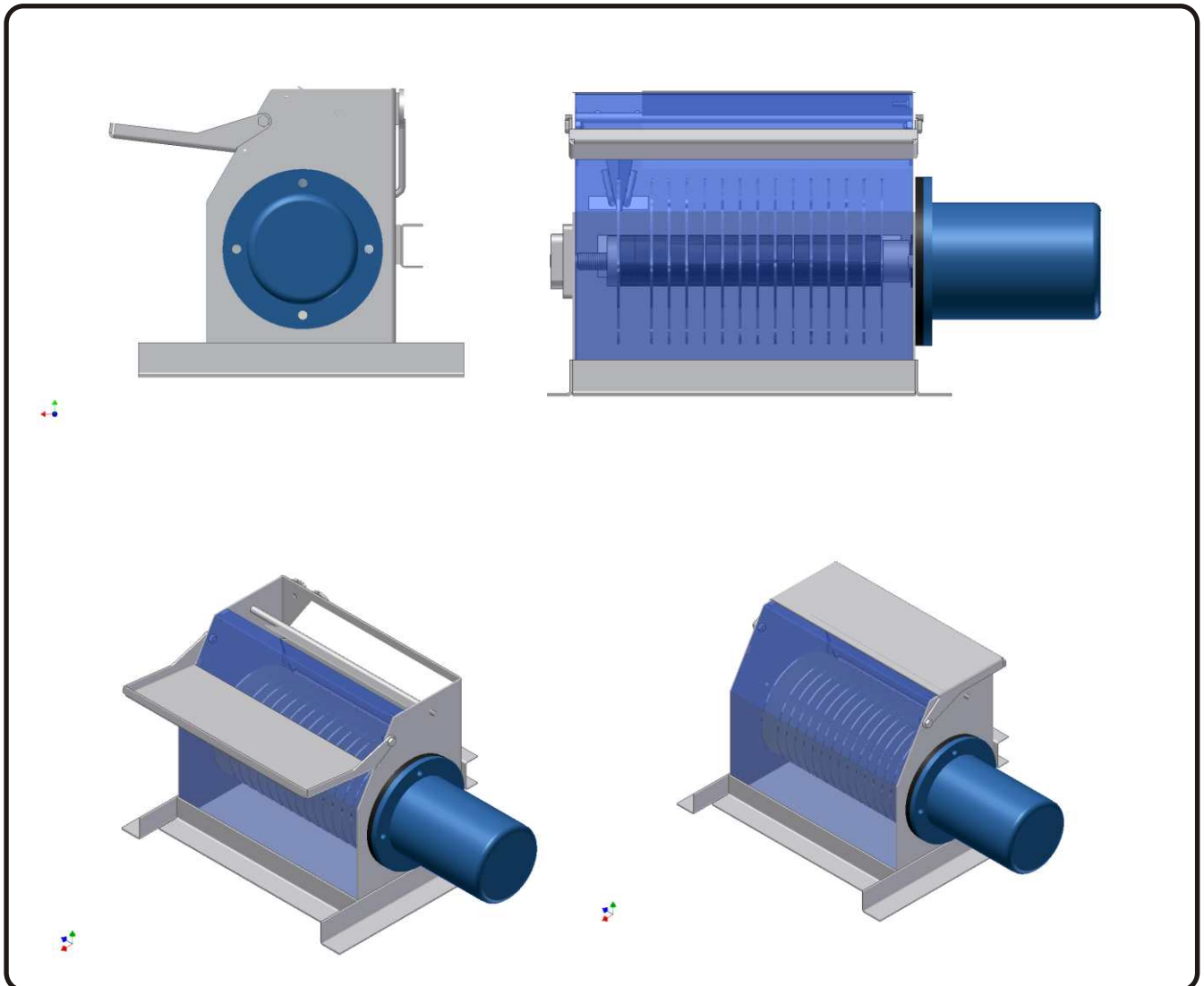


OILWIND Bait-Cutter

TYPE 02-12



- The bait-cutter is available with an hydraulic motor or an electric motor.
- Everything is made of stainless steel except the motor and bearings.
- It is able to bisect the bait before cutting it into pieces.
- The length between each knife is adjustable.
- The lid can function as a table when cutting bait, and it conceals the knives when finished.
- It is easy and fast to clean the bait-cutter.

Data :

Type: 02-12

Speed:	1380 rpm.
Effekt:.....	750 W
Voltage:.....	230 /360 Volt

(Also available as hydraulic)

Weight: 25 kg

OILWIND

Pf. J. K. JOENSEN & SONUR

P.O.BOX 9
FO-370 MIÐVÁGUR
FØROYAR
(Faroe Islands)

Tlf:	+298 332 422
Fax:	+298 333 222
e-mail:	oilwind@oilwind.fo
http://	www.oilwind.fo