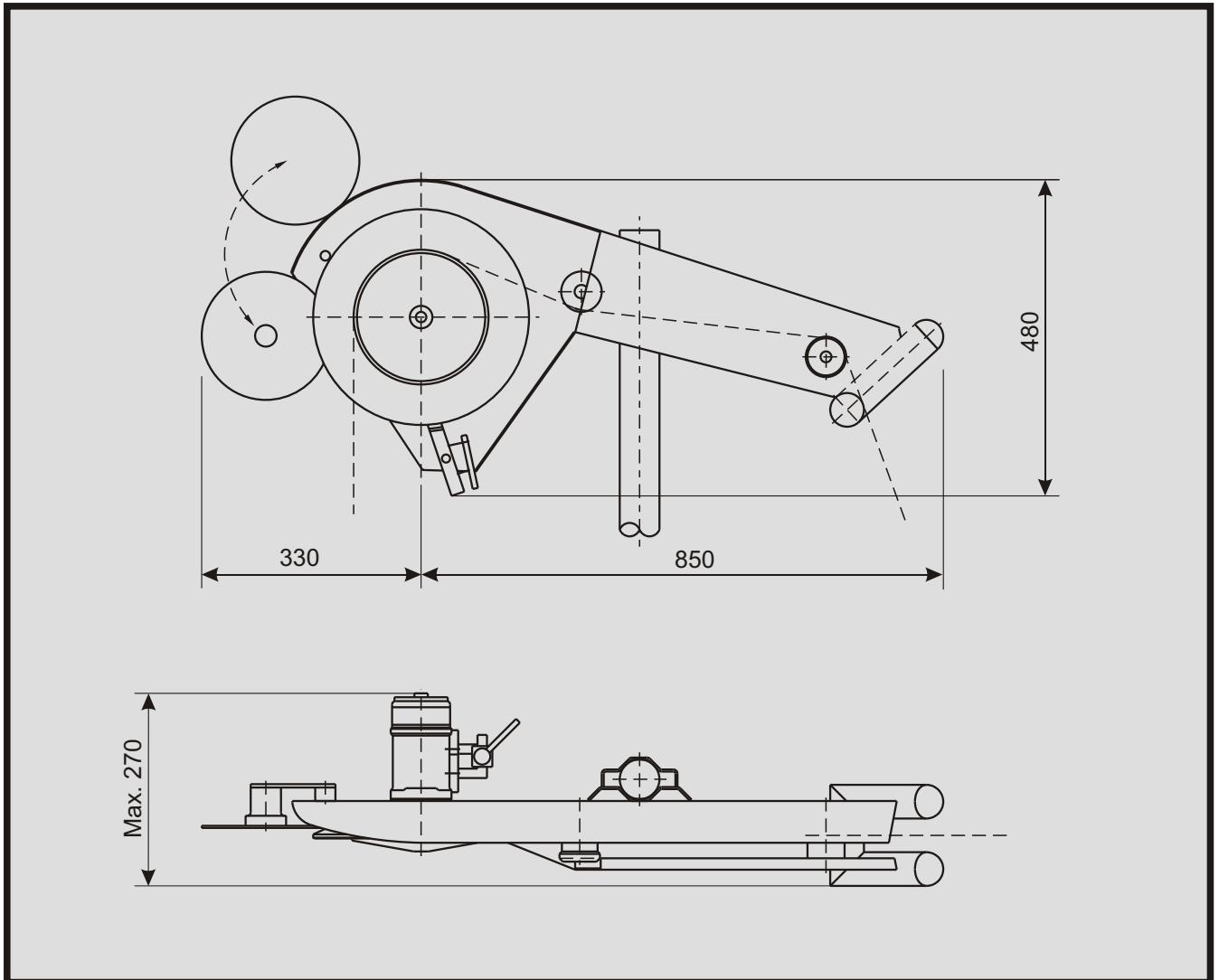


Combined Longlinewinch - Coiler

Type 07-08



Specifications:

Type: 07-08-160

Pull / Speed on sheaves:.. 150 kg / 94 m/min.
 Hydraulic pressure:..... 100 bar
 Hydraulic flow:..... 20 l/min
 Power required:..... 5 BHP

Type: 07-08-200

Pull / Speed on sheaves:..... 250 kg / 94 m/min.
 Hydraulic pressure:..... 134 bar
 Hydraulic flow:..... 25 l/min
 Power required:..... 8 BHP

Type: 07-08-400

Pull / Speed on sheaves:..... 500 kg / 94 m/min.
 Hydraulic pressure:..... 145 bar
 Hydraulic flow:..... 50 l/min
 Power required:..... 18 BHP

Weight:..... approx. 32 kg

All parts are made of stainless steel and plast.

The unit is hydraulic driven. The sheaves are mounted directly on the hydraulic motor.

The construction is very simple so only a minimum of maintenance is required.

OILWIND

Pf. J. K. JOENSEN & SONUR

P.O.BOX 9
 FO-370 MIÐVÁGUR
 FØROYAR
 (Faroe Islands)

Tlf: +298 332 422
 Fax: +298 333 222
 e-mail: oilwind@oilwind.fo
 http:// www.oilwind.fo