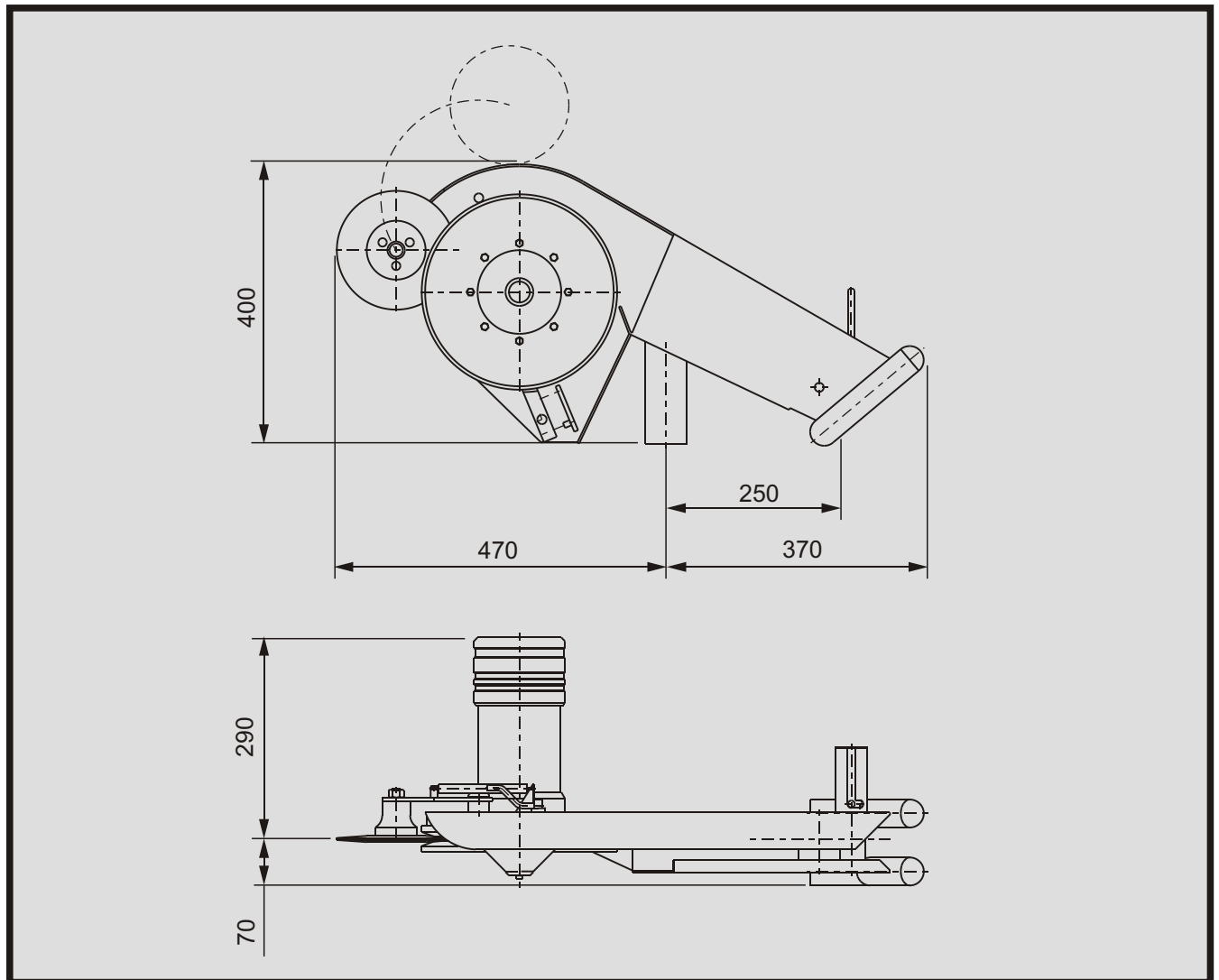


# Electric Line Hauler/Coiler

## Type 07-14



All Parts are made of stainless steel and plast.

The construction is very simple so only a minimum of maintenance is required.

The winch can be equipped with brushes that keeps the hooks and line in a clean condition.

### Specifications :

<b>Pull :</b>	<b>60 kgp.</b>
<b>Pullspeed:</b>	<b>94 meters/min.</b>
<b>Avrage power use:</b>	<b>5-6 Amp.</b>
<b>Voltage:</b>	<b>24 Volt</b>
<b>Weight:</b>	<b>22 kgp..</b>

**OILWIND**  
Pf. J. K. JOENSEN & SONUR

P.O.BOX 9

FO-370 MIÐVÁGUR

FØROYAR

(Faroe Islands)

Tlf:

+ 298 332 422

Fax:

+ 298 333 222

http://

www.oilwind.fo

E-mail:

oilwind@oilwind.fo