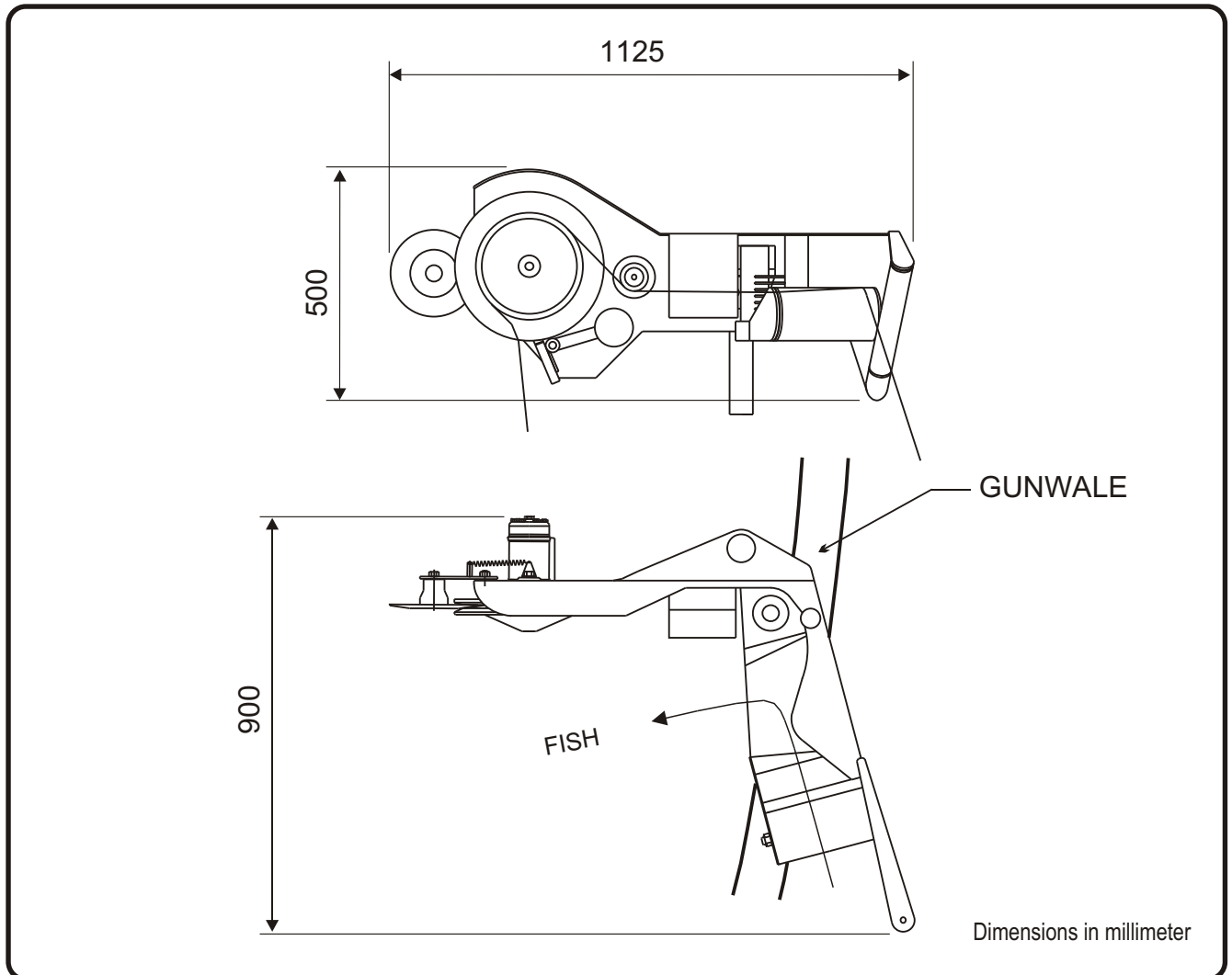


Combined Longlinewinch - Coiler - Sideroller

OILWIND TYPE 07-15



Specifications:

Type: 07-15-160

Pull/Speed on sheaves: .. 150kg / 94 m. per min.
 Hydraulic pressure: 100 bar
 Hydraulic flow: 20 liter per min.
 Power required: 5 BHP

Type: 07-15-200

Pull/Speed on sheaves: .. 250kg / 94 m. per min.
 Hydraulic pressure: 134 bar
 Hydraulic flow: 25 liter per min.
 Power required: 8 BHP

Type: 07-15-400

Pull/Speed on sheaves: .. 500kg / 94 m/min
 Hydraulic pressure: 145 bar
 Hydraulic flow: 50 liter per min.
 Power required: 18 BHP

Weight: approx. 60kg

- + The unit is hydraulic driven. The sheaves are directly driven by the hydraulic motor.
- + All parts are made of stainless steel and plastic.
- + The winch is equipped with brushes that keep the hooks and line in a clean condition.
- + The construction is very simple so only a minimum of maintenance is required.

OILWIND

PF. J. K. JOENSEN & SONUR

BOX 9 - FO-370 MIÐVÁG - FAROE ISLANDS

Phone: +298 332 422 - Fax: +298 333 222

e-mail: oilwind@oilwind.fo

http:// www.oilwind.fo