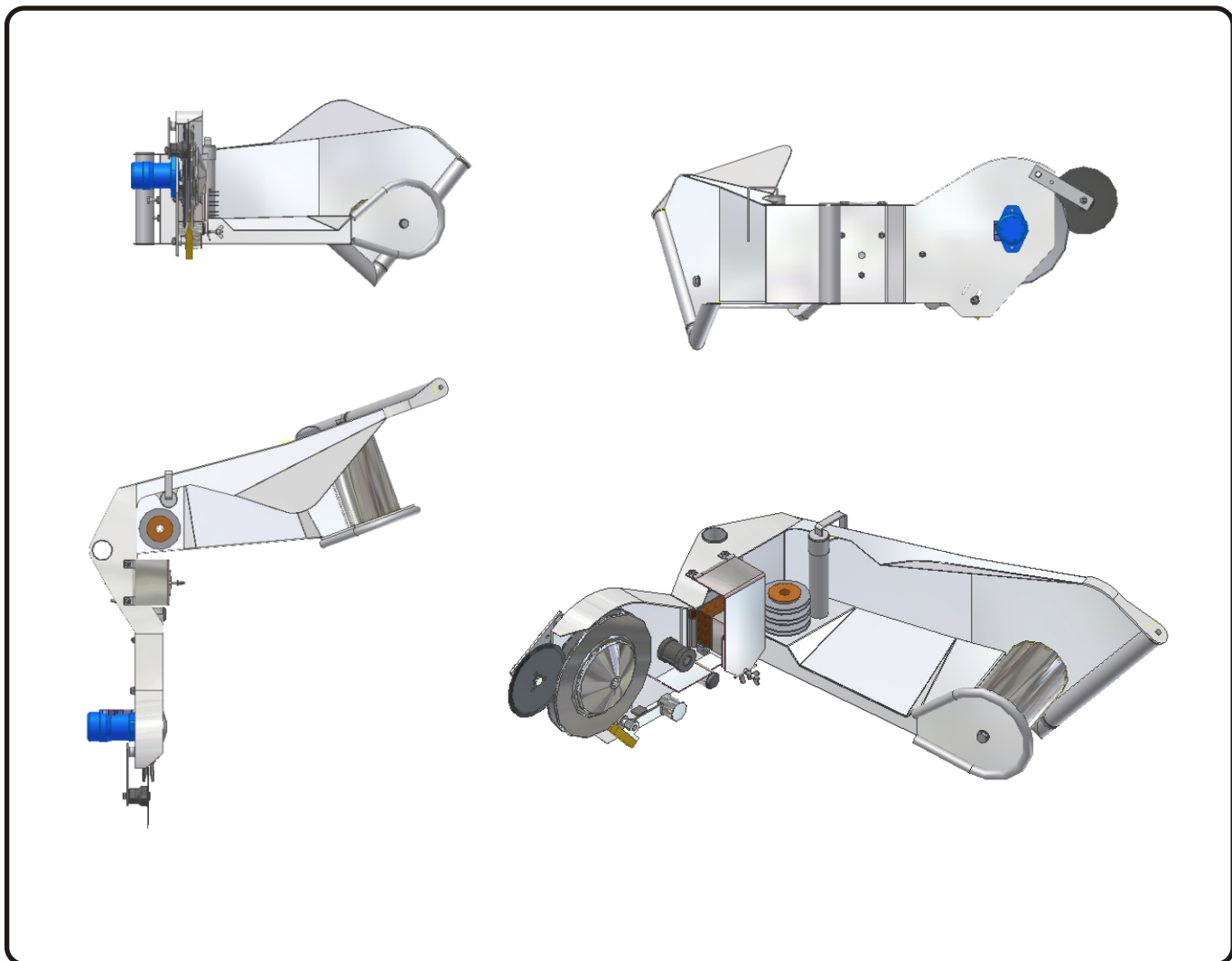


Combined Longlinewinch -Coiler - Sideroller-Stripper

OILWIND TYPE 07-15-2



Specification:

Type: 07-15-160

Pull/Spedd on sheaves: .. 150kg / 94 m. per min.
 Hydraulic pressure: 100 bar
 Hydraulic flow: 20 liter per min.
 Power required: 5 BHP

Type: 07-15-200

Pull/Spedd on sheaves: .. 250kg / 94 m. per min.
 Hydraulic pressure: 134 bar
 Hydraulic flow: 25 liter per min.
 Power required: 8 BHP

Type: 07-15-400

Pull/Spedd on sheaves: .. 500kg / 94 m/min
 Hydraulic pressure: 145 bar
 Hydraulic flow: 50 liter per min.
 Power required: 18 BHP

Weight: approx. 60kg

- The unit is hydraulic driven. The sheaves are directly driven by the hydraulic motor.
- All parts are made of stainless steel and plastic.
- The winch is equipped with brushes that keeps the hooks and line in a clean condition.
- The winch is also equipped with stripper and coiler.
- Maintenance is very low.

OILWIND

Pf. J. K. JOENSEN & SONUR

**P.O.BOX 9
 FO-370 MIÐVÁGUR
 FØROYAR
 (Faroe Islands)**

**Tlf: +298 332 422
 Fax: +298 333 222
 e-mail: oilwind@oilwind.fo
 http:// www.oilwind.fo**