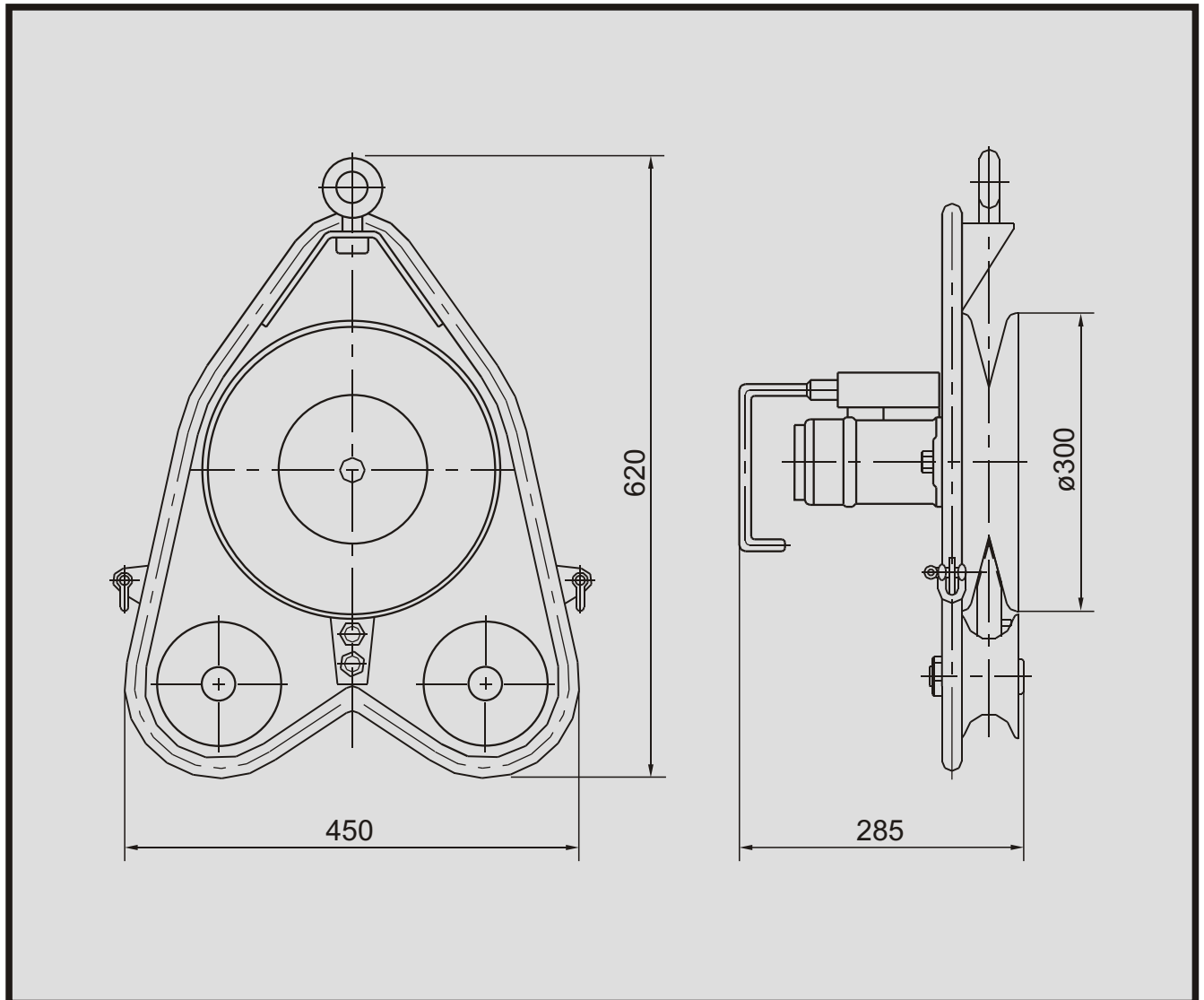


OILWIND- Pothauler

220/320/400 kg

Type 17-10



Specifications:

Type: 17-10-200

Pull/Speed on sheaves: 220 kg/40 m/min.
Hydr. pressure: 105 bar
Hydr. flow: 12 l/min.
Power req. 2,3/3,0 kW/BHP

Type: 17-10-300

Pull/Speed on sheaves: 316 kg / 36 m/min.
Hydr. pressure: 95 bar
Hydr. flow: 17 l/min.
Power req. 3,0/4,0 kW/BHP

Type: 17-10-400

Pull/Speed on sheaves: 400 kg / 36 m/min.
Hydr. pressure: 95 bar
Hydr. flow: 22 l/min.
Power req. 3,8/5,2 kW/BHP

+ All parts are made of steel or stainless steel. Surface treatment of steel; Shot blasting, metallizing, prime and paint.

+ The unit is hydraulic driven. The sheaves are directly driven by the hydraulic motor. Pilot valve can be mounted directly on the motor.

OILWIND

Pf. J. K. JOENSEN & SONUR

P.O.BOX 9
 FO-370 MIÐVÁGUR
 FØROYAR
 (Faroe islands)

Tlf: +298 332 422
 Fax: +298 333 222
 http:// www.oilwind.fo
 E-mail: oilwind@post.olivant.fo