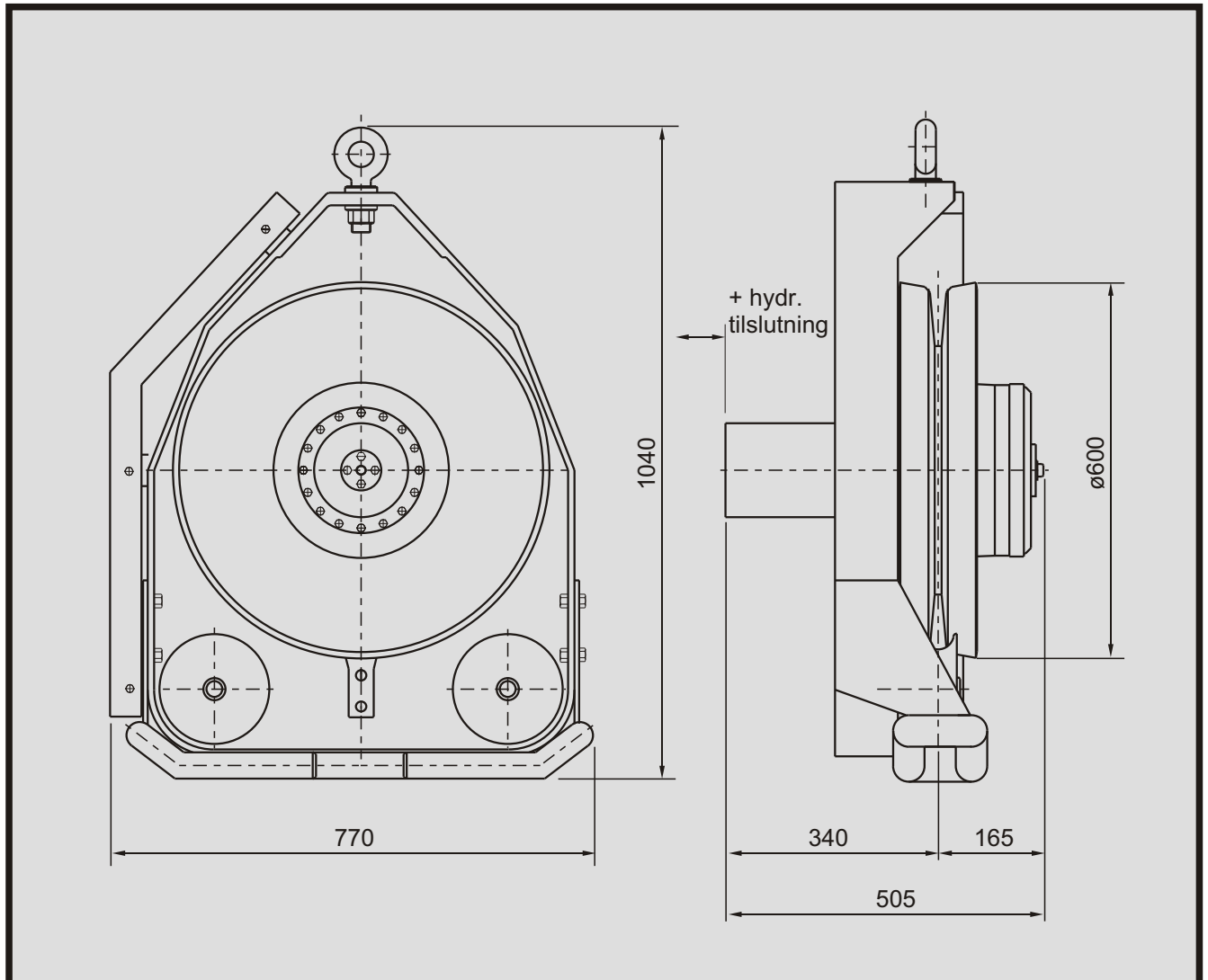


# OILWIND - Pothauler 2000 kg

# Type 17-12



+ All parts are made of steel or stainless steel. Surface treatment of steel; Shot blasting, metallizing, prime and paint.

+ The winch is hydraulic driven with motor and epicyclic gear mounted direct on the sheaves.

+ The construction is very simple so only a minimum of maintenance is required.

## Specifications :

Pull/Speed on sheaves: 2000 kg/ 68m/min.

Hydr. Pressure	200	Bar
Hydr. flow:	100	l/min
Power req.:	36,3/49,4	KW/BHP

# OILWIND

## Pf. J. K. JOENSEN & SONUR

P.O.BOX 9  
FO-370 MIÐVÁG  
FØROYAR  
(Faroe Islands)

Tlf: +298 223 422  
Fax: +298 333 222  
http:// www.oilwind.fo  
E-mail: oilwind@post.olivant.fo