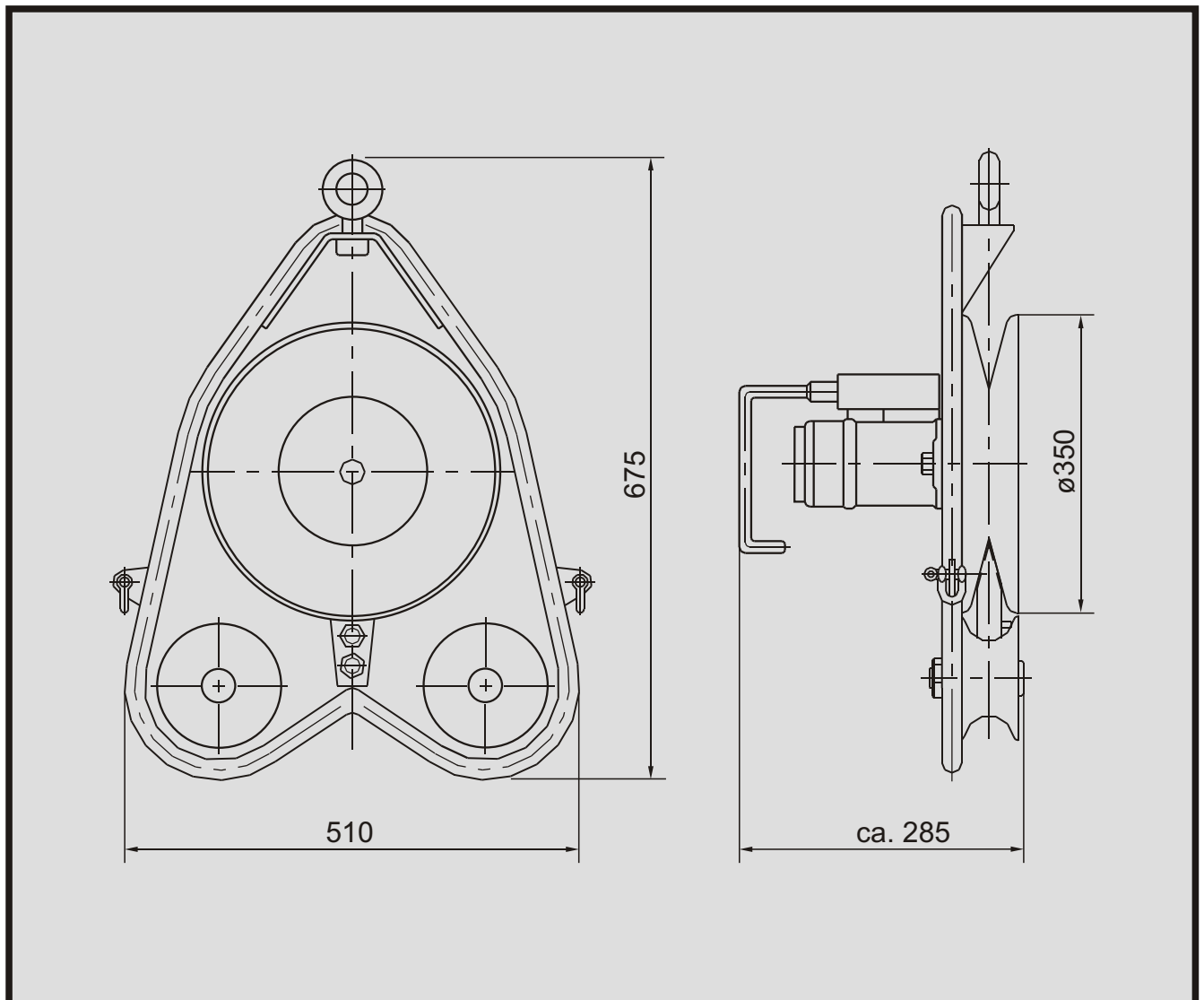


OILWIND - Pothauler 800 kg

Type 17-14



Specifications:

Type: 17-14-500

Pull/Speed on sheaves: 800 kg / 40 m/min.

Hydr. Pressure: 150 bar

Hydr. flow: 28 l/min

Power req...: 7,6/10 kW/BHP

Weight: 60kg

All parts are made of steel or stainless steel.
Surface treatment of steel; Shot blasting, metallizing,
prime and paint.
The winch is hydraulic driven with motor and epicyclic
gear mounted on sheaves.
The construction is very simple so only a minimum of
maintenance is required.

OILWIND

Pf. J. K. JOENSEN & SONUR

**P.O. BOX 9
FO-370 MIÐVÁGUR
FØROYAR
(Faroe Islands)**

**Tlf: +298 332 422
Fax: +298 333 222
e-mail: oilwind@oilwind.fo
http:// www.oilwind.fo**