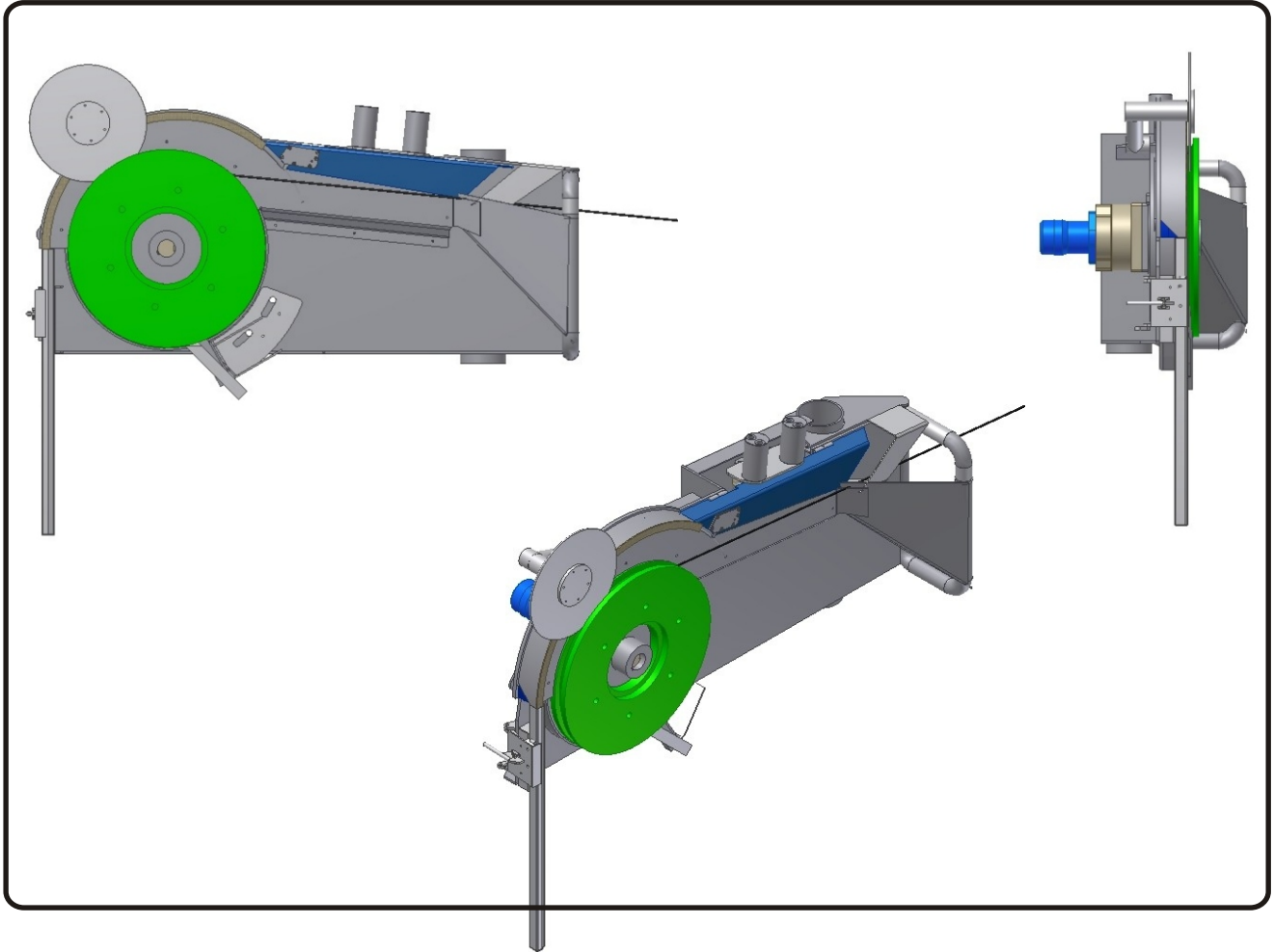


# OILWIND Longlinesystem Coiler-Washer-Racking

## TYPE 23-12



- The unit is hydraulic driven and the sheaves are mounted on a gear with a hydraulic motor.
- All parts are made of stainless steel and plastic. The sheaves are made of cast iron.
- The winch is equipped with two rotating brushes that keeps the hooks and line in a clean condition.
- The winch is also equipped with a coiler and a racking system that makes sure the hooks are properly stored into the magazines.
- Operating the system is easy and maintenance is very low.

### Data:

Type: 23-12

Pull/Speed on sheaves: .. 900kg /50 m. per min.  
Hydraulic pressure: ..... 200 bar  
Hydraulic flow: ..... 35 liter per min.  
Water required:..... 30 liter per min.

Weight: ..... approx. 200kg

# OILWIND

## Pf. J. K. JOENSEN & SONUR

P.O.BOX 9  
FO-370 MIÐVÁGUR  
FØROYAR  
(Faroe Islands)

Tlf: +298 332 422  
Fax: +298 333 222  
e-mail: oilwind@oilwind.fo  
http:// www.oilwind.fo