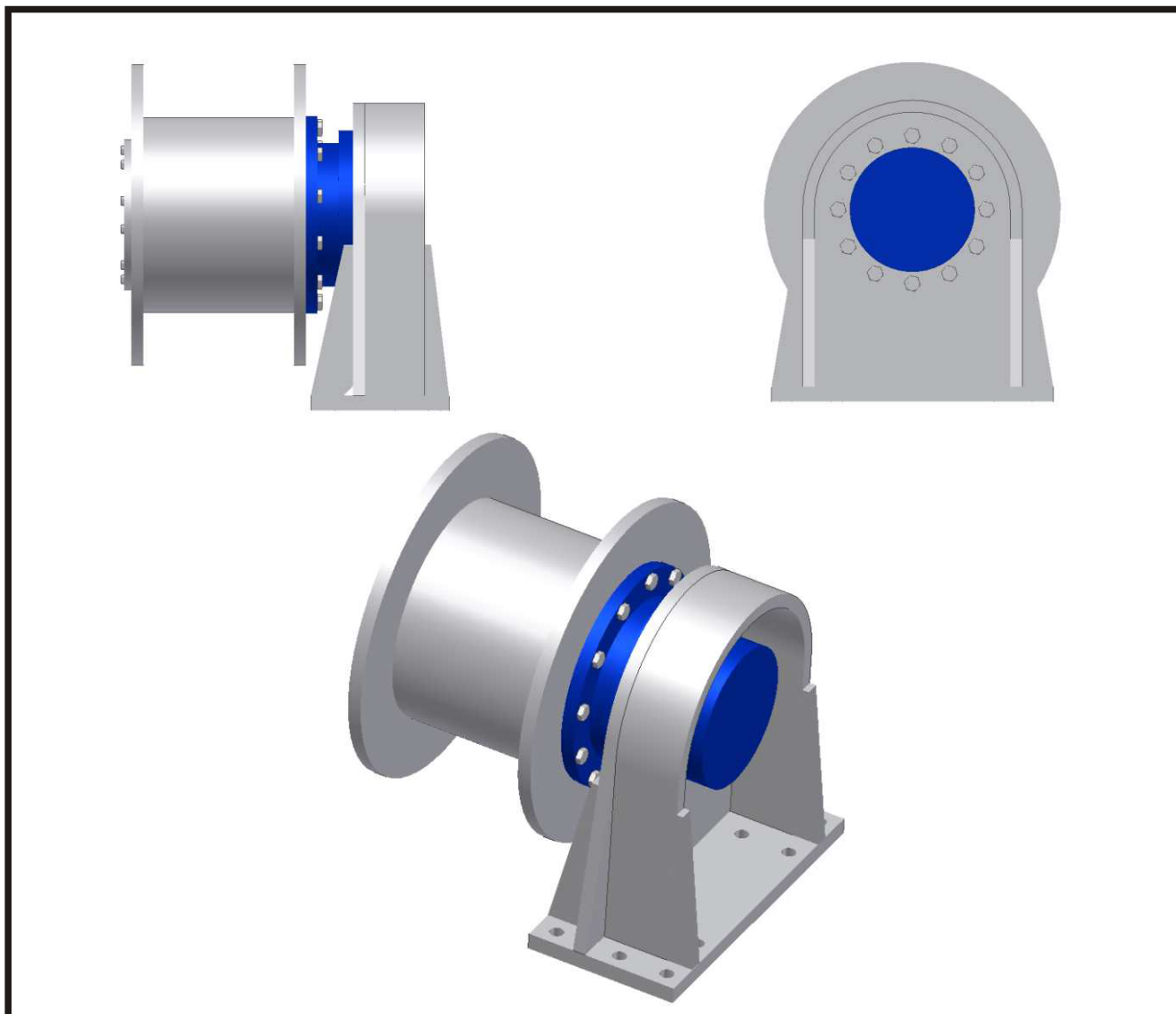


Crane winch

2 - 6 ton

Type 30-21



The winch is made out of steel. Surface treatment includes: Sand blasting, metallisation, coating and paint.

The winch is hydraulic with an hydraulic motor and planetary wheel drive fitted directly onto the drum.

The winch has a simple design and is durable, it therefore requires very little maintenance.

Specifications:

Type: 30-21-4ton

Pull/Speed on cable:..... 4000 kg/42m/min

Hydr. pressure:..... 160 bar

Hydr. flow:..... 122 l/min

Req. power:..... 36/48 kW/BHP

Weight:

OILWIND

Pf. J. K. JOENSEN & SONUR

PO.BOX 9
FO-370 MIÐVÁGUR
FØROYAR
(Faroe Islands)

Tlf: + 298 332 422
Fax: + 298 333 222
e-mail: oilwind@oilwind.fo
http:// www.oilwind.fo