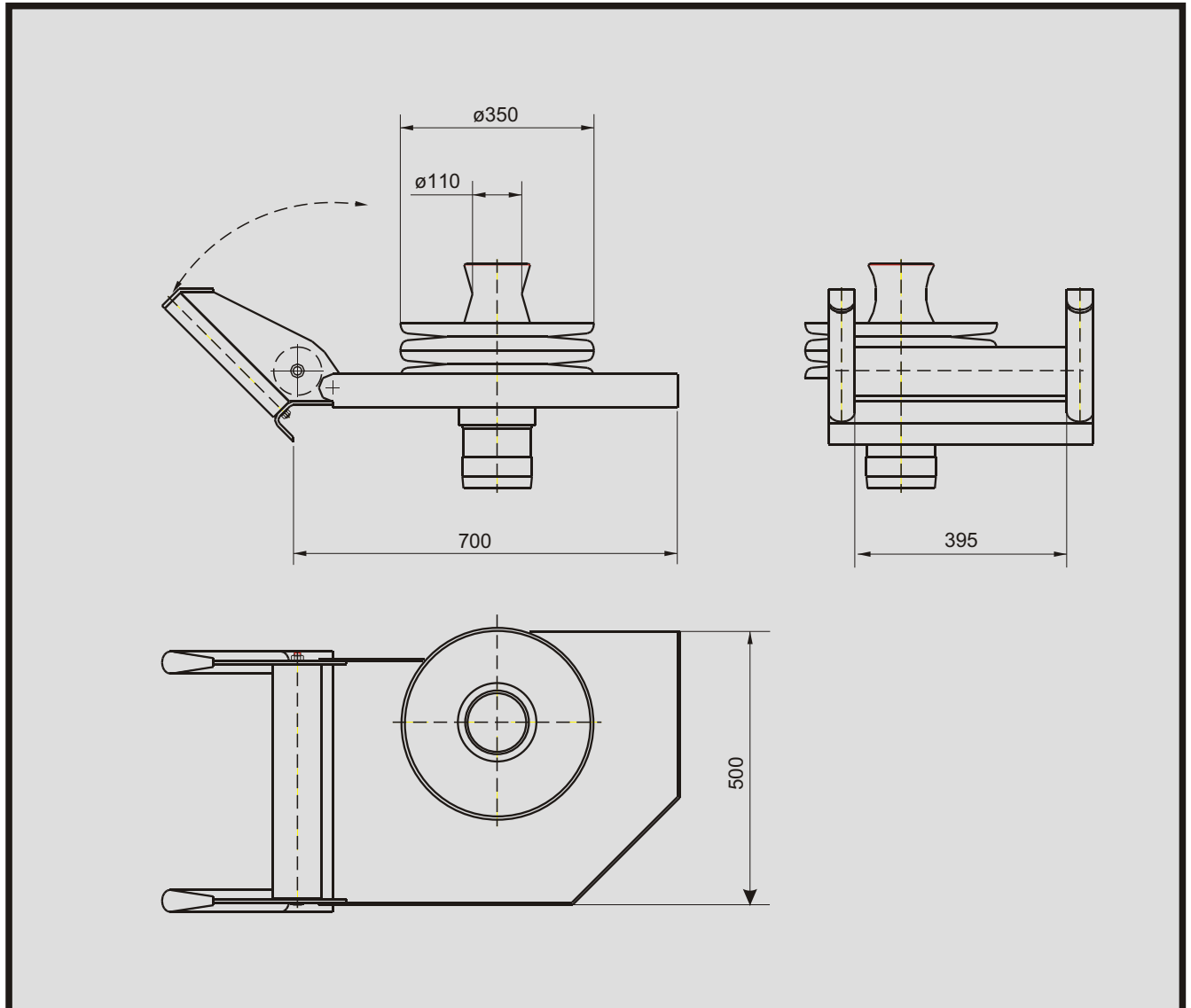


# Net winch 250/650 kg

Type 56-01



- The winch is made of aluminum with sheaves , cup and roller made of stainless steel.
- The unit is constructed with direct mounted hydraulic motor on sheaves/cup.

## Specifications:

Pull/Speed on sheaves: 255 kg/ 43m/min.

Pull/Speed on the Cup: 650 kg/ 17m/min.

Hydr. pressure:	80	bar
Hydr. flow:	20	l/min
Power req.:	2,9/4,0	kW/BHP

Weight:

# OILWIND

Pf. J. K. JOENSEN & SONUR

P.O.BOX 9  
FO-370 MIÐVÁGUR  
FØROYAR  
(Faroe Islands)

Tlf: +298 332 422  
Fax: +298 333 222  
http:// www.oilwind.fo  
E-mail: oilwind@post.olivant.fo